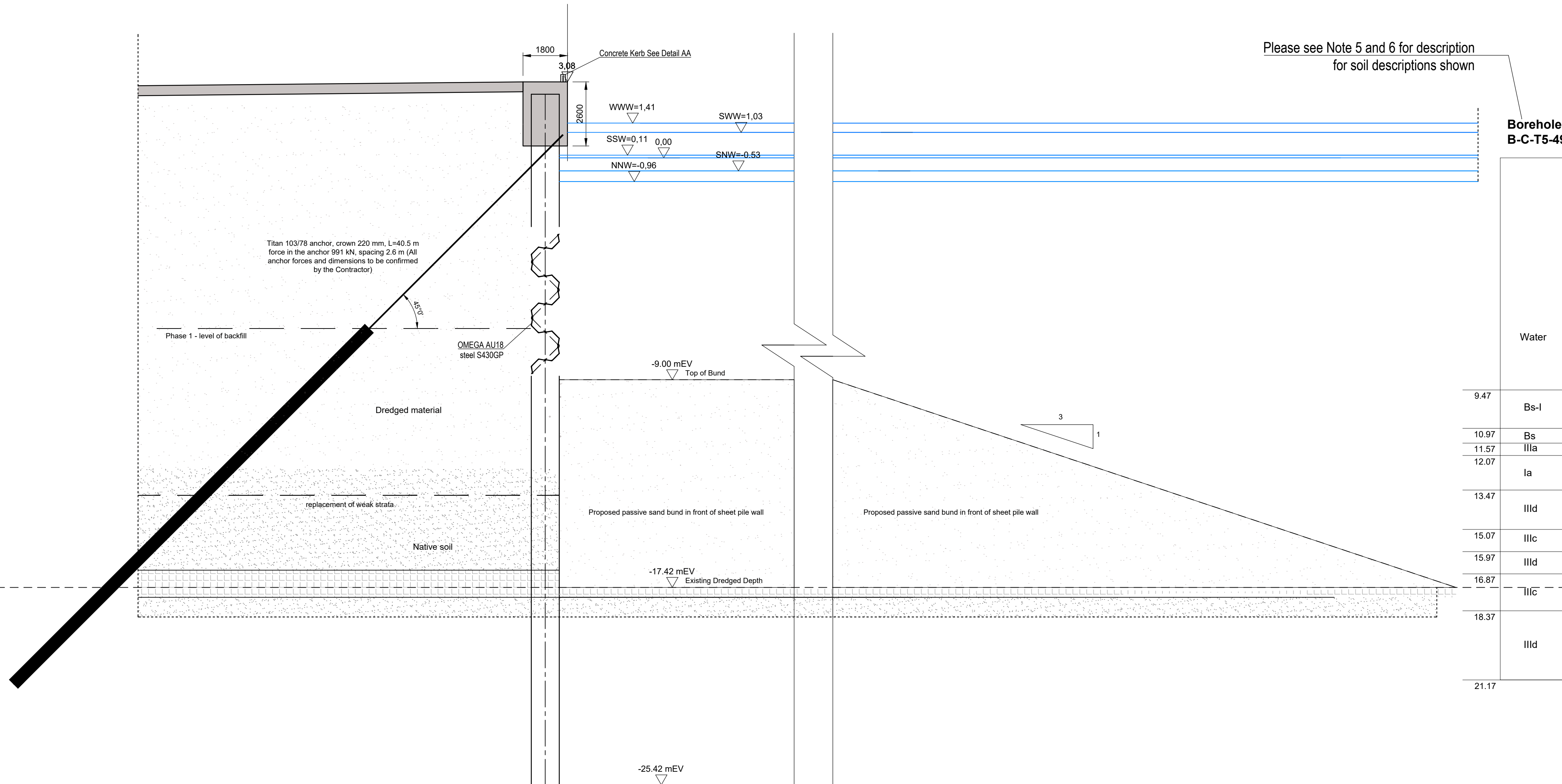
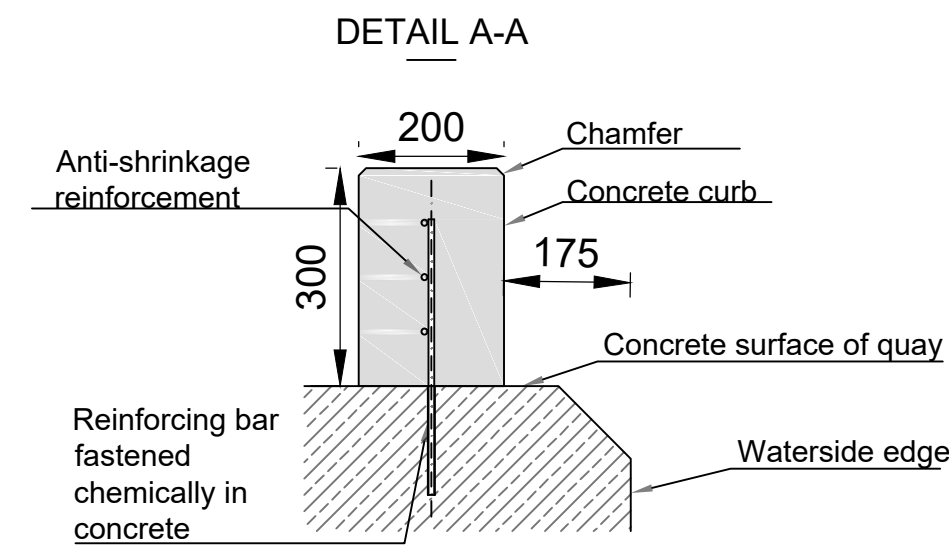


QUAY WALL DESIGN SHOWN MUST BE VERIFIED BY THE CONTRACTOR AND IS FOR INFORMATION ONLY.



Notes:

- All levels shown are in accordance with the EVF2007 datum (Elevations in Kr86bis + 0,08m = Elevation in EVRF2007)
- Dimensions are in millimeters unless otherwise stated.
- Sand bund shown is not compulsory. The Contractor may choose to design and construct a larger sheet pile wall using a heavier section for when the seabed level is deeper than -12mEV
- Should a sand bund be used, it must not protrude above the water level and must be within the site boundary
- Soil descriptions and parameters for the indicative soil layers shown are fully described in the Geotechnical Opinion Report- OG-74-2022 and the Documentation of Subsoil Investigations -DBPG-74-2022, both of which are included as part of the Disclosed Data.
- The soil profiles shown are indicative only and the Contractor shall verify all soil and ground conditions to determine his own geotechnical design parameters using either the provided information and or alternative data.

Please see Note 5 and 6 for description for soil descriptions shown

Borehole B-C-T5-49

Water	
9.47	Bs-I
10.97	Bs
11.57	IIIa
12.07	Ia
13.47	IIIId
15.07	IIIc
15.97	IIIId
16.87	IIIc
18.37	IIIId
21.17	

NOT FOR CONSTRUCTION

TENDER

Revision	Date	Description	Drawn	Checked	Approved
P04	05/12/23	Tender Issue	ADT	AT	CSJ
P03	21/11/23	Tender Issue	ADT	AT	CSJ
P02	31/10/23	Tender Issue	ADT	AT	CSJ
P01	29/09/23	Draft tender issue	ADT	AT	CSJ
P00	11/08/23	Draft for comment	ADT	AT	CSJ

Client: ISTRANA / Baltic Hub Container Terminal Sp. z o.o.



ISTRANA/ Baltic Hub Container Terminal Sp. z o.o.
ul. Kontenerowa 7, 80-601 Gdańsk

Project: **BALTIC HUB T5 OFFSHORE WIND TERMINAL PROJECT**
Drawing Title: **EASTERN INTERFACE WALL SECTION 2**

Designing company:	HaskoningDHV Polska Sp. z o.o. ul. Dzielna 60 01-029 Warszawa	Date:	11/08/23	Scale:	1:100	Approved:	AT
Client:	ISTRANA / Baltic Hub Container Terminal Sp. z o.o.	Drawing number:	PC1063-RHD-T5-OW-DR-CM-3004	SUITABILITY:	S4	REVISION:	P04